

symo[®]



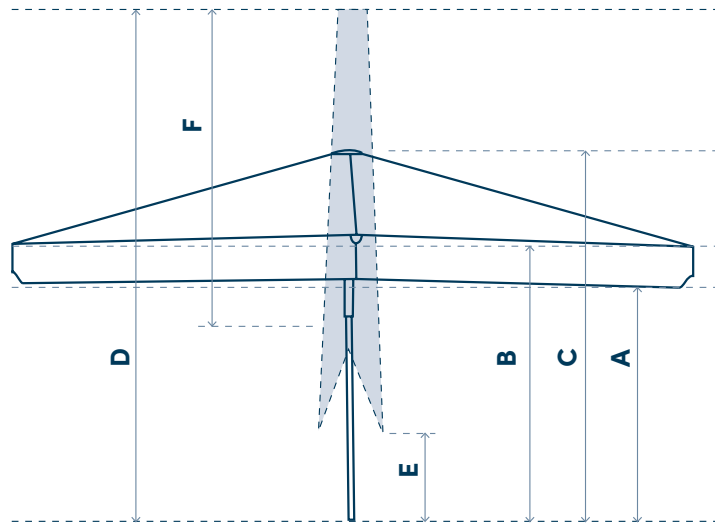
GEMELLO


CREATING PARASOLS FOR PROFESSIONALS

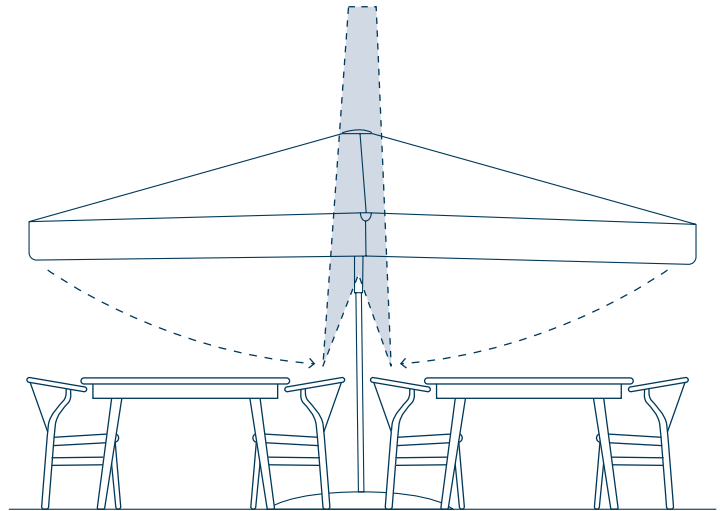
www.symoparasols.com

GEMELLO

Technical details



PARASOL		Ø 4,5 m	Ø 5 m	Ø 5,5 m	Ø 6 m	4 x 2,5 m	4 x 3,5 m	5 x 3 m
Shape								
Dimensions	A - Height to valance	205 cm	205 cm	205 cm	205 cm	205 cm	205 cm	205 cm
	B - Height to rib	230 cm	230 cm	230 cm	230 cm	230 cm	230 cm	230 cm
	C - Height open	320 cm	340 cm	338 cm	350 cm	310 cm	301 cm	310 cm
	D - Height closed	415 cm	450 cm	445 cm	460 cm	419 cm	409 cm	435 cm
	E - Free height closed	174 cm	180 cm	161 cm	147 cm	181 cm	144 cm	132 cm
	F - Max. storage length	435 cm	470 cm	465 cm	480 cm	439 cm	429 cm	455 cm
	Net weight	34 kg	17 kg	21 kg	18 kg	20 kg	16 kg	16 kg
	Brut weight	44 kg	46 kg	50 kg	52 kg	42 kg	46 kg	48 kg
	Packaging size	435 x 35 x 35 cm	470 x 35 x 35 cm	465 x 35 x 35 cm	480 x 35 x 35 cm	439 x 35 x 35 cm	429 x 35 x 35 cm	455 x 35 x 35 cm
	Shade area (m ²)	15,9 m ²	19,6 m ²	23,8 m ²	28,3 m ²	10 m ²	14 m ²	15 m ²
Fabric	 Fabric colours	Orchestra: see colours on fabrics sheet						
	Fire Retardant	•	•	•	•	•	•	•
Frame	Pole	Aluminium - 70 x 2 mm						
	Material	Aluminium & stainless steel - Powder coated White RAL 9016 or Silvergrey RAL 9006						
	Handle	Easy-to-use telescopical operation system with internal pole sliding grip & locking lever						
	Ribs	Aluminium - 32 x 19 mm or 43 x 19 mm (depending size)						
Options	Fixed valances	•	•	•	•	•	•	•
	Reduced parasol pole -10 cm or -20 cm	•	•	•	•	•	•	•
Wind resistance		7 Bft (61 km/h - 38 mph)						



Periscope parasol

This unique system allows you to open and close the parasol without any trouble above tables & chairs.

BASES

TILE BASE ECONOMY 170 kg

- 85 x 85 cm
- Steel, galvanized
- Silver coloured



GROUND PLATE ECONOMY 17 kg

- 60 x 60 x 1,5 cm
- Steel, galvanized
- Silver coloured
- Must be screwed to the ground



TILE BASE ECONOMY 240 kg

- 85 x 85 cm
- Steel, galvanized
- Silver coloured



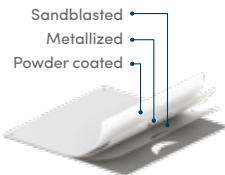
INGROUND SLEEVE ECONOMY

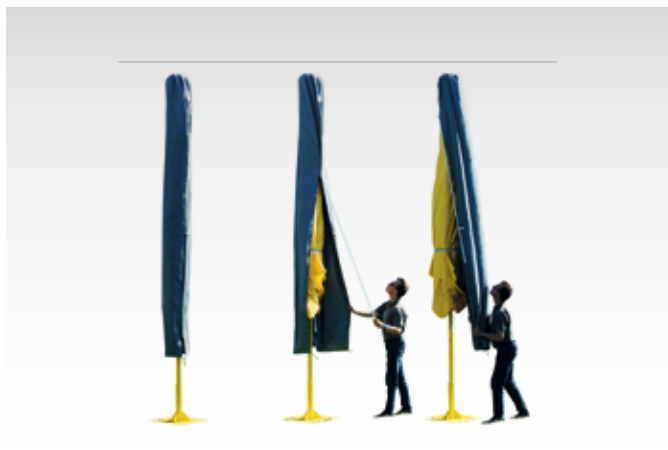
- Steel, galvanized
- Silver coloured
- Must be concreted into the ground



TOP QUALITY

3 treatments for longer life span in heavy duty circumstances





Protective cover Ripstop®



Gutter for square parasols

symo®

CREATING PARASOLS FOR PROFESSIONALS

Industriepark Z3 Waggelwater
Dirk Martensstraat 13 - 8200 Brugge (Belgium)
T 32 (0) 50 32 07 95
info@symoparasols.com
www.symoparasols.com

