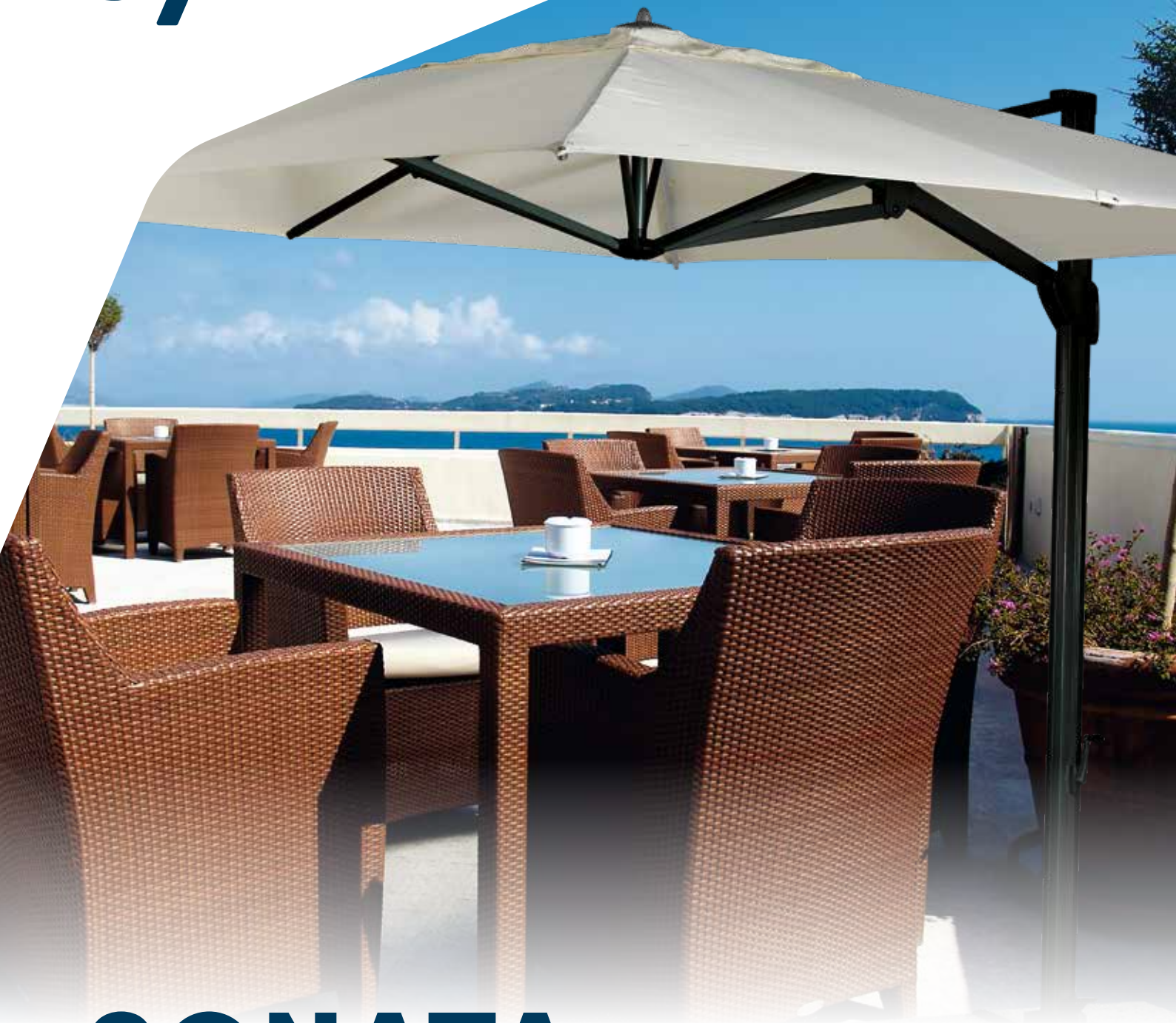


symo[®]



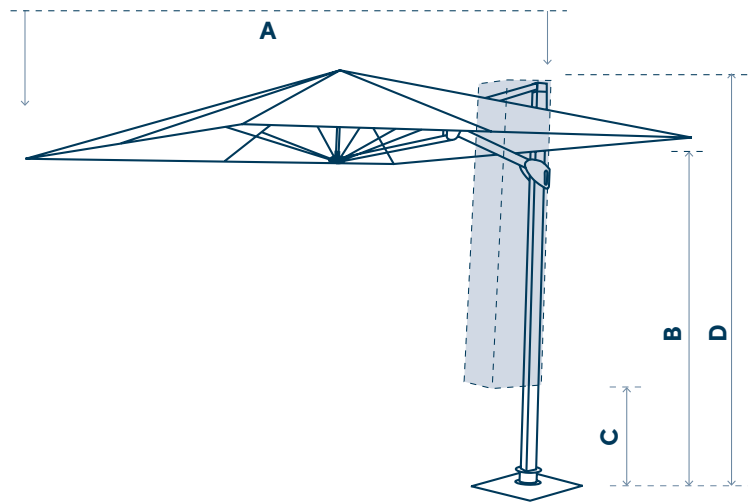
SONATA

CREATING PARASOLS FOR PROFESSIONALS

www.symoparasols.com

SONATA

Technical details



PARASOL		3 X 3 m	4 X 3 m
Shape			
Dimensions			
	A - Total length open	325 cm	325 cm
	B - Free height open	220 cm	220 cm
	C - Free height closed	59 cm	20 cm
	D - Total height	282 cm	275 cm
	Net weight	37,5 kg	38,5 kg
	Brut weight	41,5 kg	42,5 kg
	Packaging size	270 x 42 x 23 cm	270 x 42 x 23 cm
	Shade area (m ²)	9 m ²	12 m ²
Fabric			
	Fabric colours	Orchestra: See colours on fabrics sheet	
	Fire retardant	•	•
Frame			
	Pole	65 x 98 x 2,2 mm	
	Pole Material	Aluminium / Black powder coating	
	Handle	Crank handle	
	Ribs	8	
	Ribs size	20 x 26 x 1,1 mm (with rib end adjustments)	
Wind resistance		5 Bft (38 km/h - 24 mph)	





BASES

TILE BASE LUXURY 140 kg

- 89 x 89 x 12,5 cm
- 8 tiles 40 x 40 cm
- 3 separate anti rust treatments

Base options 1-2



GROUND PLATE LUXURY 17 kg

- 40 x 40 x 1 cm
- 3 separate anti rust treatments
- Must be screwed to the ground



TILE BASE LUXURY 200 kg

- 89 x 89 x 17,5 cm
- 12 tiles 40 x 40 cm
- 3 separate anti rust treatments

Base options 1-2



INGROUND SLEEVE LUXURY

- 3 separate anti rust treatments
- Must be concreted into the ground



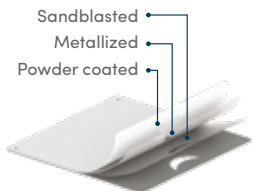
CROSS BASE SONATA

- 8 tiles 40 x 40 cm
- Steel galvanized
- Powder coated black RAL 9005



TOP QUALITY

- 3 treatments for longer life span in heavy duty circumstances



BASE OPTIONS

1 - COVER PLATE FOR TILE BASE

- 140/200 kg
- 90.4 x 90.4 x 10.9 / 14.9 cm
- 18 kg, 2mm steel



2 - CASTORS FOR TILE BASE

- With brakes





Sonata light



Symo LED lighting
- Powered by battery
- RGB or white light



Protective cover Ripstop®

symo®

CREATING PARASOLS FOR PROFESSIONALS

Industriepark Z3 Waggelwater
Dirk Martensstraat 13 - 8200 Brugge (Belgium)
T 32 (0) 50 32 07 95
info@symoparasols.com
www.symoparasols.com

